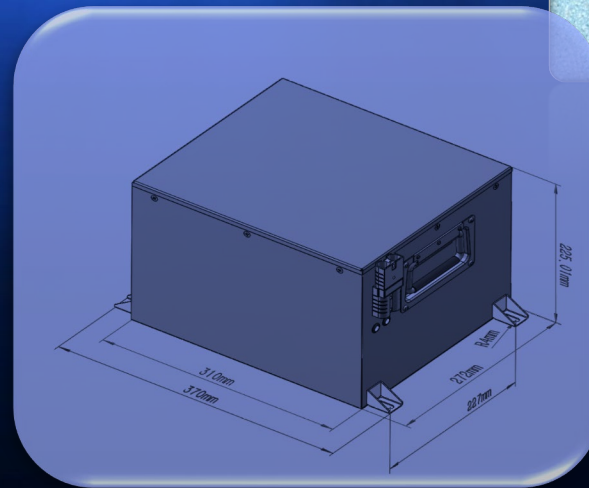




48V 100AH LiFePO4 Deep Cycle Battery Pack

Cell Type	NMC 3.7V 25AH
Array Mode	LiFePO4
Dimensions	370 x 272 x 225
Cycle Life	≥2500 6-7 years



**Comprehensive and Convenient
Bluetooth App BMS (Battery Monitoring System)
for Apple and Android Devices**



All batteries come with a 30amp charger and an Anderson plug for easy and safe installation we also supply 12, 24 and 36volt deep cycle LiFiPO4 batteries for most applications, simply give us a call.



Ph: +61 08 9255 1065
Kerry: +61 409 109 728
Max: +61 418 905 734
E: info@himiningglobal.com
57a Division St, Welshpool WA 6106
www.himiningglobal.com